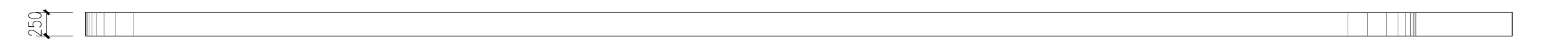
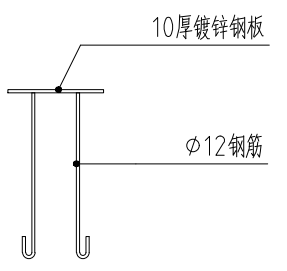


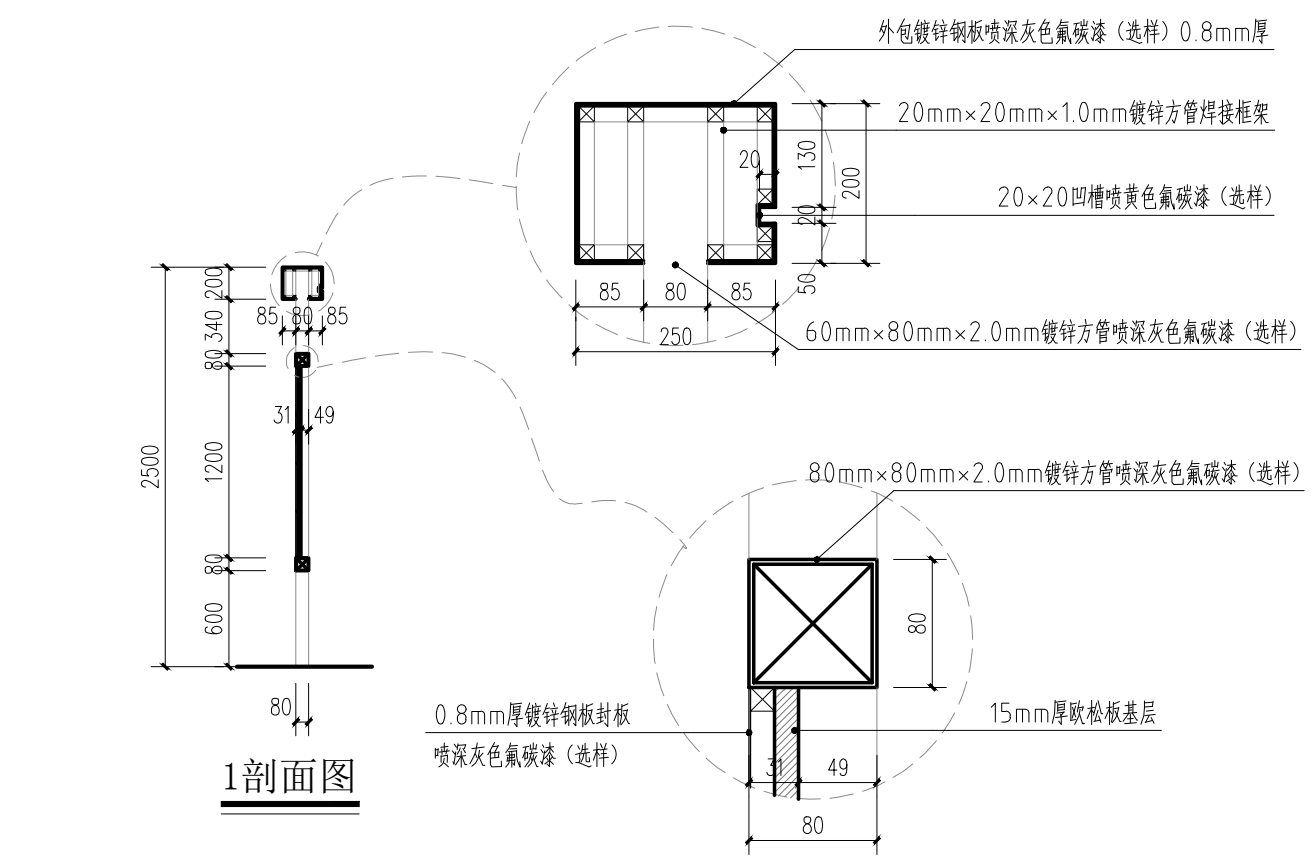
宣传栏立面图 注：施工工艺与制作方沟通确认后方可实施



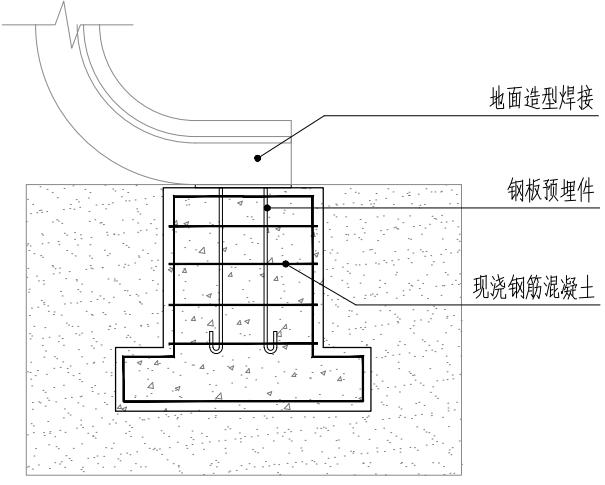
宣传栏俯视图



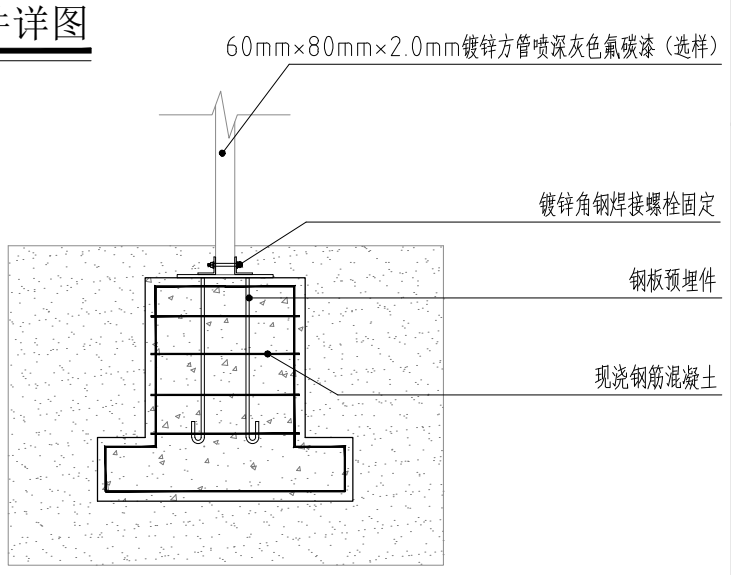
预埋件详图



1剖面图



其他基础详图



立柱基础详图

| | |
|---|---------------|
| Notes | 說明 |
| REV. 日期 | CHECKED BY 校對 |
| 修訂 | 日期 |
| APPROVED BY 審核 | |
| | |
| | |
| | |
| | |
| | |
| | |
| PROJECT 項目名稱 | 宣传栏 |
| DRAWING TITLE 圖名 | 宣传栏详图 |
| DRAWING No 圖號 | |
| SCALE 比例 | 1:50 |
| PROJECT REF: 項目檔案 | |
| 本设计之知识产品属于本公司所有，任何复制或使用时均需获得书面授权。图纸尺寸以mm为单位，所有在图纸上标示的尺寸，须在现场复合和修正。 The intellectual property rights of the design is owned to the company. Any copy or use is required to get the written authority. As the size of the drawing paper is in mm unit, all the size should be verified and amended at the scene. | |
| 墨齐设计 商业空间/会展/酒店餐饮 | |